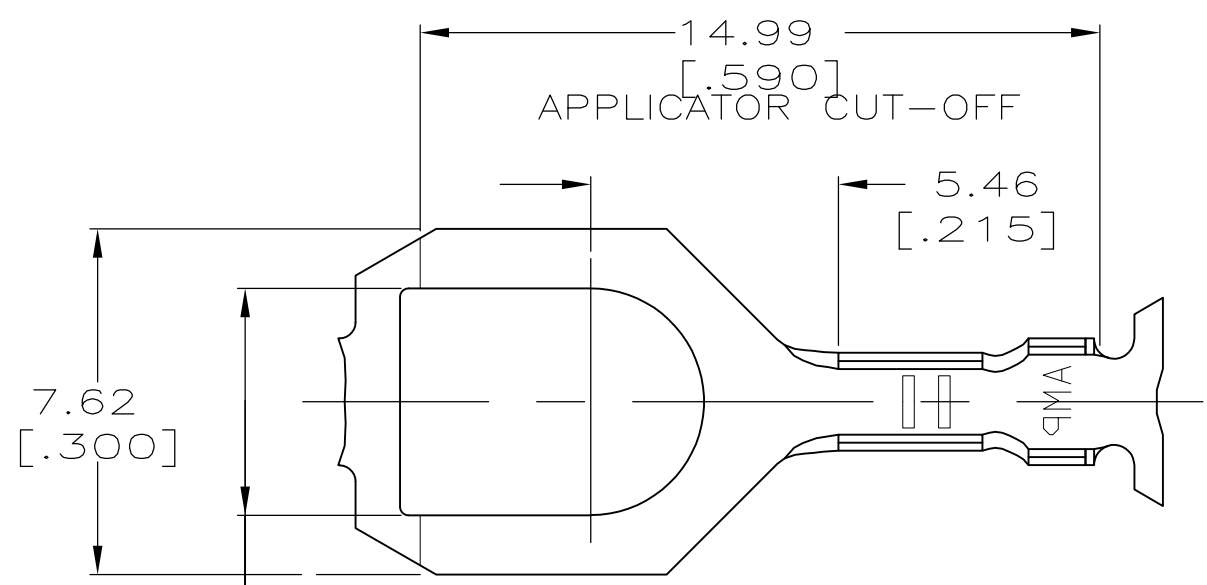
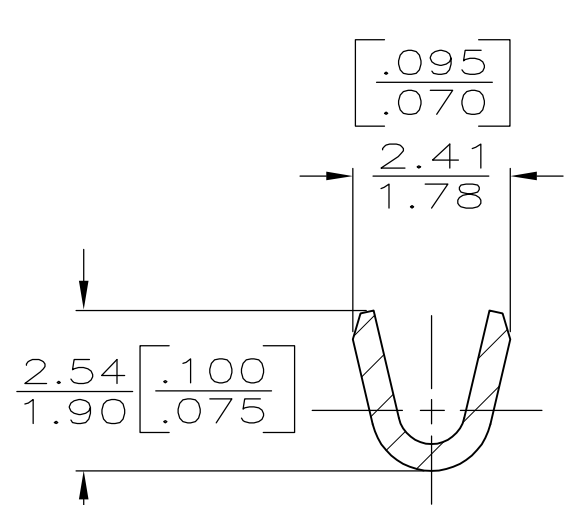
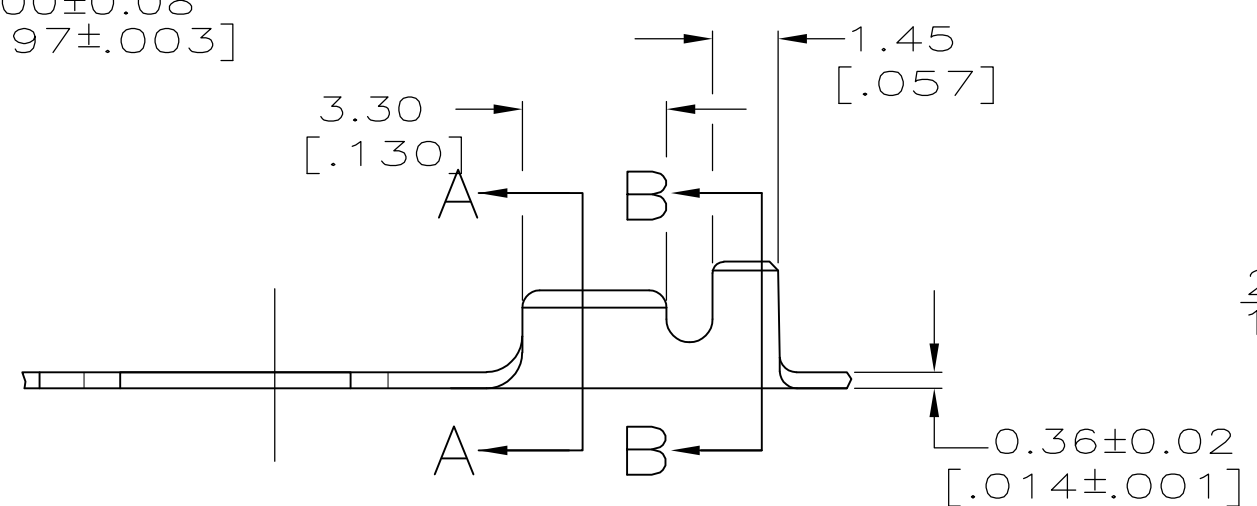


THIS DRAWING IS UNPUBLISHED. RELEASED FOR PUBLICATION  
 © COPYRIGHT BY TYCO ELECTRONICS CORPORATION. ALL INTERNATIONAL RIGHTS RESERVED.

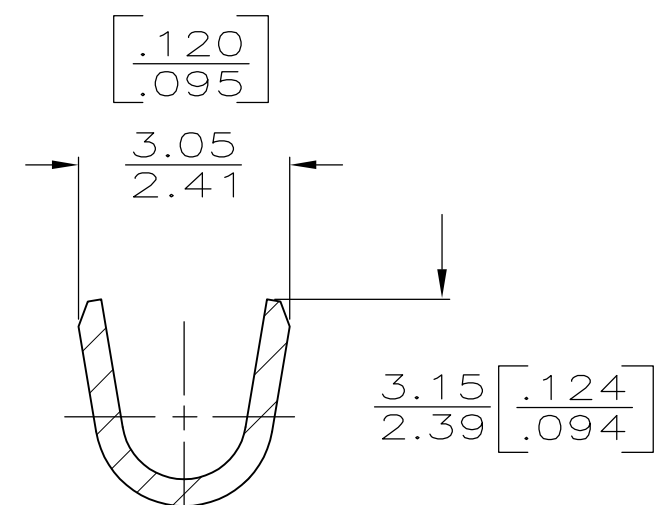
LOC	DIST	REVISIONS					
AF	50	P	LTR	DESCRIPTION	DATE	DWN	APVD
		F		REVISED PER ECR-10-006099	07JUL10	HMR	PD



1. CONTINUOUS STRIP ON REELS



SECTION A-A  
SCALE 10:1



SECTION B-B  
SCALE 10:1

**METRIC**

1.22-1.98 [.048-.078]	0.2-0.6mm <sup>2</sup> [24-20]	60501-1
INSULATION RANGE	WIRE RANGE	PART NO

0	2.29 [.090]	4.83 [.190]	F	1.57 [.062]	1.17 [.046]	0.5mm <sup>2</sup> [20]
					1.09 [.043]	0.3mm <sup>2</sup> [22]
					1.02 [.040]	0.2mm <sup>2</sup> [24]
TYPE	WIDTH	STRIP LENGTH ±.015	TYPE	WIDTH	±.051 [±.002] HEIGHT	WIRE
INSUL BARREL CRIMP			WIRE BARREL CRIMP			

THIS DRAWING IS A CONTROLLED DOCUMENT.

DIMENSIONS: mm [INCHES]

TOLERANCES UNLESS OTHERWISE SPECIFIED:

0 PLC ± -  
 1 PLC ± -  
 2 PLC ± -  
 3 PLC ± 0.38 [.015]  
 4 PLC ± -  
 ANGLES ± -

MATERIAL: 1/2 HARD BRASS  
 FINISH: TIN

DWN P FORTNEY 1/29/90	Tyco Electronics Corporation Harrisburg, PA 17105-3608
CHK MS FEHER 1/31/90	
APVD G YETTER 2/2/90	
PRODUCT SPEC	
APPLICATION SPEC	NAME SPADE
WEIGHT	SIZE A3
CUSTOMER DRAWING	CAGE CODE 00779
	DRAWING NO G-60501
	RESTRICTED TO
	SCALE 6:1
	SHEET 1 OF 1
	REV F